



AIR DRYERS

Don't settle with the imitators, stay with the market innovator!

With T224-P, the best for your air system is now even better!

A contaminated air system dramatically adds unwanted costs. SKF's T224 cartridge outperforms others in the industry in removing wet/dirty bypass from dessicant in the cartridge - but what about removing oil?

SKF's T224 cartridge provides a solution to keeping your air system free from water, dirt and oil by offering the T224-P service kit!

The T224-P system combines the highest quality dessicant cartridge with the revolutionary SKF Filtration Plus technology.

Filtration Plus is a two stage high efficiency filter that removes the finest oil residue. It is self cleaning with every purge cycle keeping the air dryer performance optimized.

T-224P specifically addresses extreme air system demands for various vocations such as rail, transit, refuse and off-road.



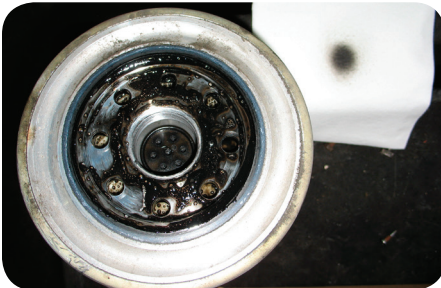
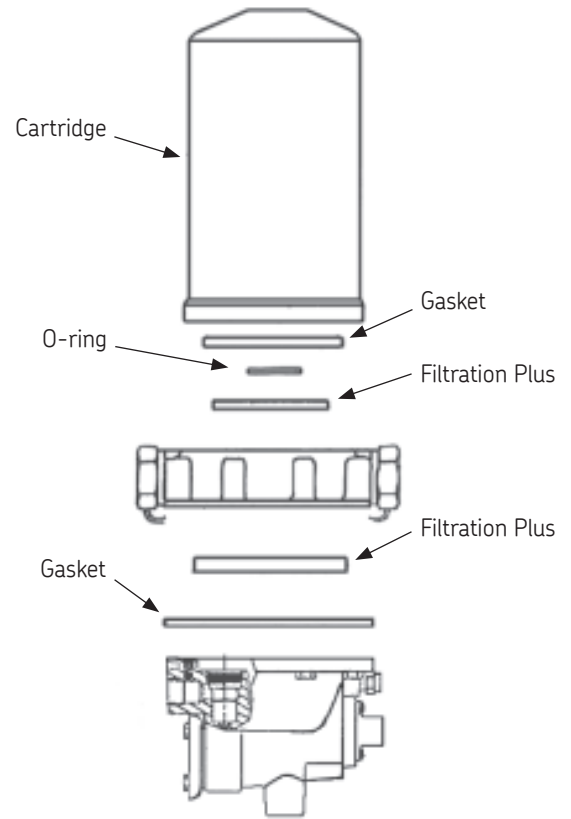
Contact your local SKF distributor for more information or visit www.vsm.skf.com



Benefits of the Filtration Plus Option

- Lengthens service intervals on dessicant cartridge.
- Protection of downstream valving that gums up with oil contamination.
- Improved compressor life: Coked up discharge lines cause the compressor to work harder shortening its service life.
- Easily retrofits and upgrades the filtration system of any existing SKF Turbo series dessicant air dryer.
- The filter effectively removes oil before it contaminates the dessicant cartridge, further extending compressor life.
- The kit helps to increase company profits by extending service intervals.

Note: The SKF Filtration Plus Option is standard on Dual Turbo-2000 and can be installed in the SKF Turbo-2000 series including the HD-2000.



Without Filtration Plus



Without Filtration Plus



After installation of Filtration Plus

Don't compromise your air system. Always install SKF premium air dryer cartridges!

© SKF is a registered trademark of the SKF Group.
© SKF Group 2014

The contents of this publication are the copyright of the publisher and may not be reproduced (even extracts) unless permission is granted. Every care has been taken to ensure the accuracy of the information contained in this publication but no liability can be accepted for any loss or damage whether direct, indirect or consequential arising out of the use of the information contained herein.



View detailed technical and product videos at www.skfpartsinfo.tv



Follow us on Twitter @skfpartsinfo to stay on top of all the latest technical and product information.

SKF VSM NA
890 N. State Street
Suite 200
Elgin, IL 60123
800-882-0008
www.vsm.skf.com

